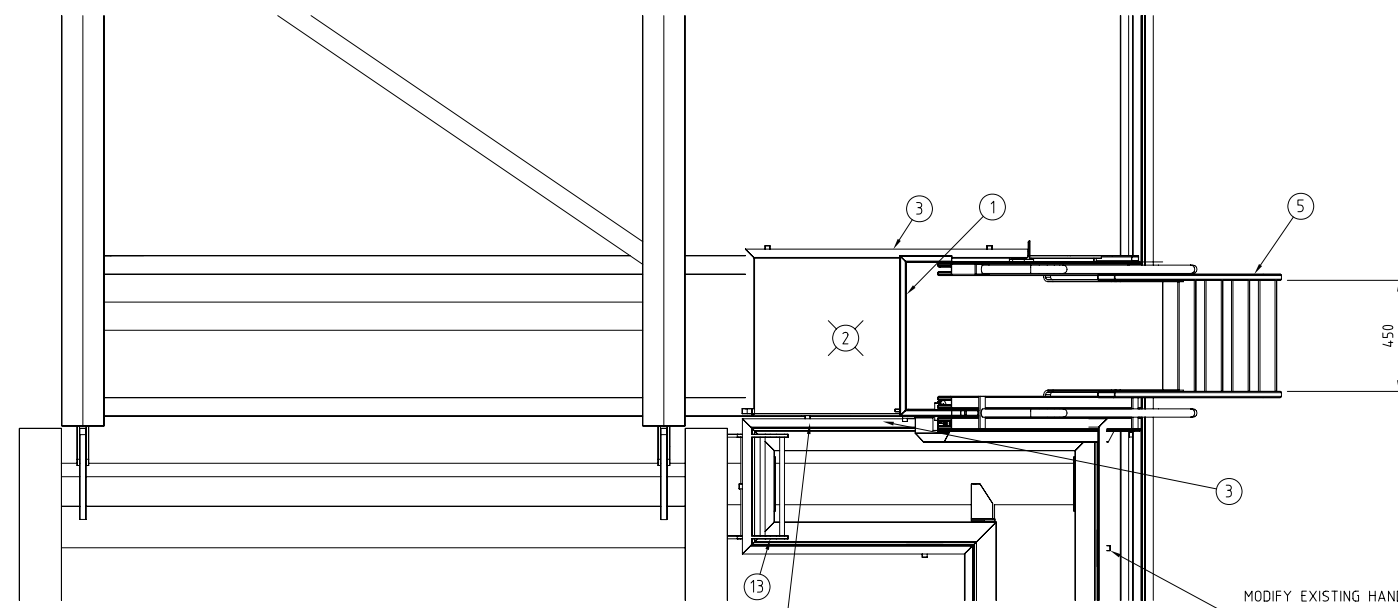
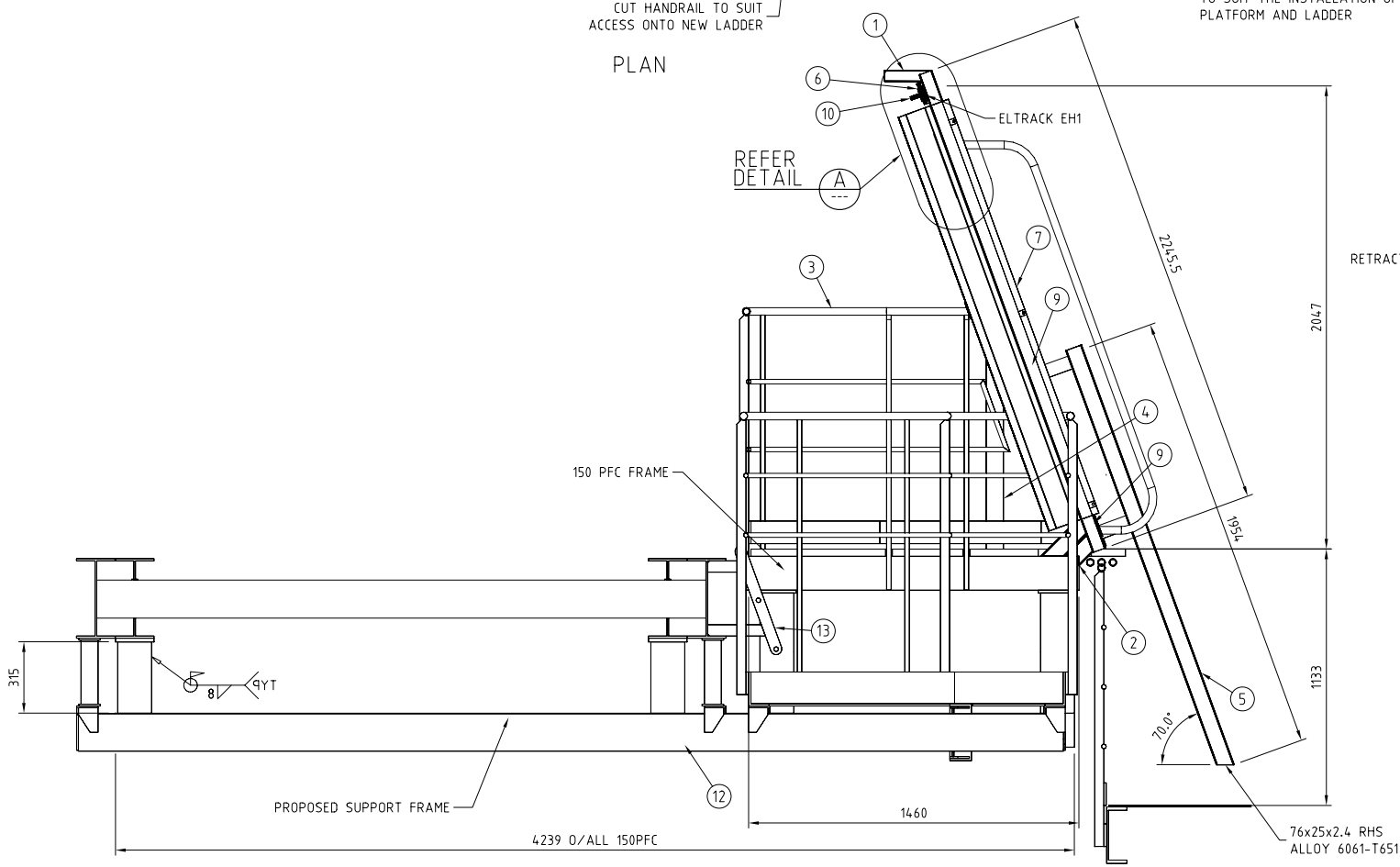
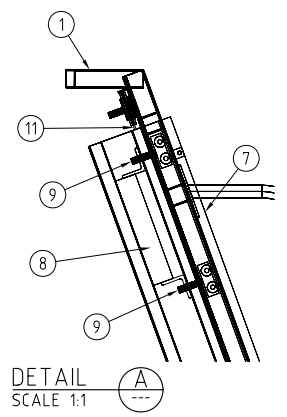


* IF IN DOUBT ASK *

ITEM	DESCRIPTION	REFERENCE
1	LADDER FRAME	22105-03162
2	PLATFORM & GRATING	22105-03161
3	HANDRAIL	22105-03166
4	SUPPORT	22105-03163
5	LADDER	22105-03154
6	PULLEY	22105-03165
7	COVER	22105-03165
8	COUNTERWEIGHT	22105-03165
9	WHEEL CARRAGE	"EL TRAK" EH15ST
10	M16 NYLOC NUT c/w 2 WASHERS	-
11	Ø4 WIRE ROPE 6x24 FIBRE CORE	GALV.
12	SUPPORT FRAME	22105-03164
13	FIXED LADDER DETAILS	22105-03157

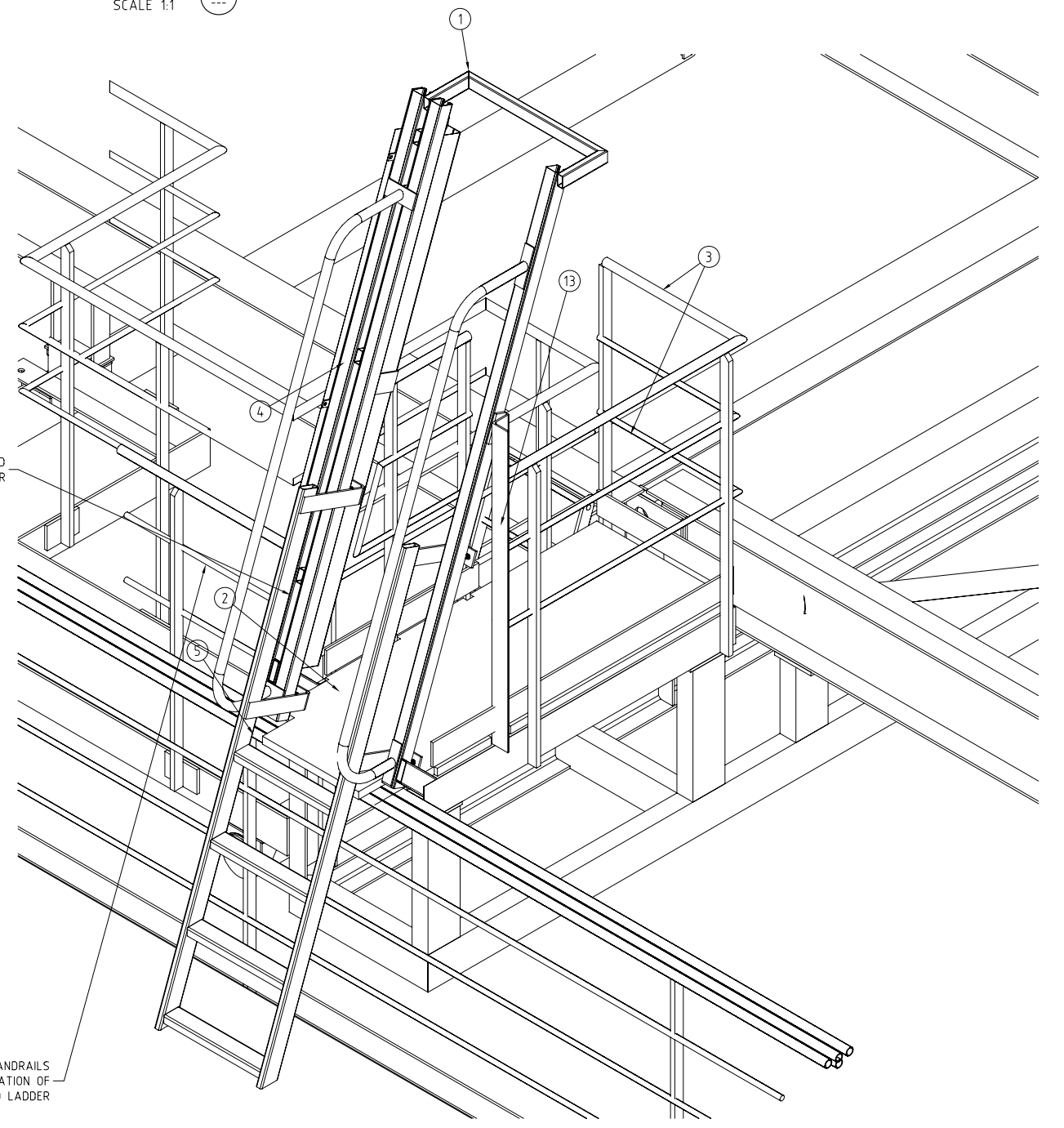


PLAN



ELEVATION

MODIFY EXISTING HANDRAILS TO SUIT THE INSTALLATION OF PLATFORM AND LADDER



* IF IN DOUBT ASK *

REV	DATE	DESCRIPTION	DRAWN	REF DRAWING	REFERENCE DRAWING TITLE
A	08-04-09	ISSUED FOR APPROVAL	D.JANISSEN		

DO NOT SCALE UNLESS OTHERWISE NOTED

ALL DIMENSIONS IN MILLIMETRES

MCKAJJ JOB No. 22105

DISCIPLINE MECHANICAL

McKajj Services Pty Ltd
 Project Management - Engineering - Drafting
 19 Herbert Street, Belmont NSW 2280
 PO Box 84, Warners Bay NSW 2282
 Ph: (02) 49454111 Email: office@mckajj.com.au Fx: (02) 49451070 Web: www.mckajj.com.au

This information contained in this document is the copyright of the nominated Client or Supplier. It is intended for the use of the individual(s) or company(s) named. Copying of this information or distribution to third parties is strictly prohibited, without the written consent of the Client or Supplier.

JOMY SAFETY LADDERS (AUST) PTY. LTD.
 ACCESS LADDER SOLUTIONS
 6 David St Bowral, NSW 2576 Australia
 Ph: 0401 107 800 Fx: (02) 4882 1184
 Email: tomy@jomyladders.com.au Web: www.jomyladders.com.au

CLIENT		PROJECT		DRAWING TITLE	
LOY YANG POWER		ACCESS UPGRADE		AUTOMATIC TRAVELLING TRIPPER L/H ARRANGMENT TAILEND ACCESS LADDER	
LAST EDITED	SCALE	DRAWING No.	REV	SHEET	
18-03-09	NTS	22105-03003	A	A1	