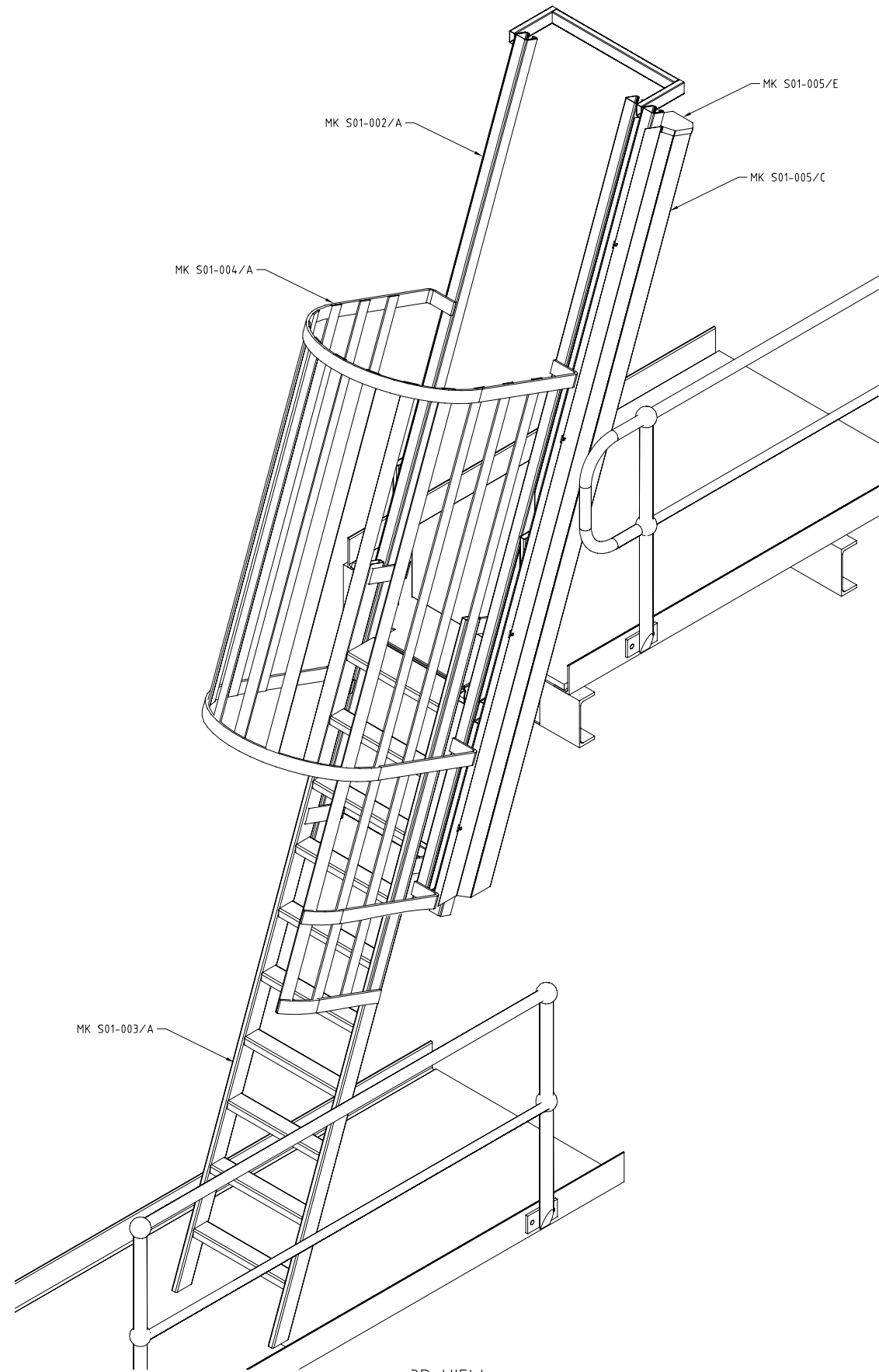
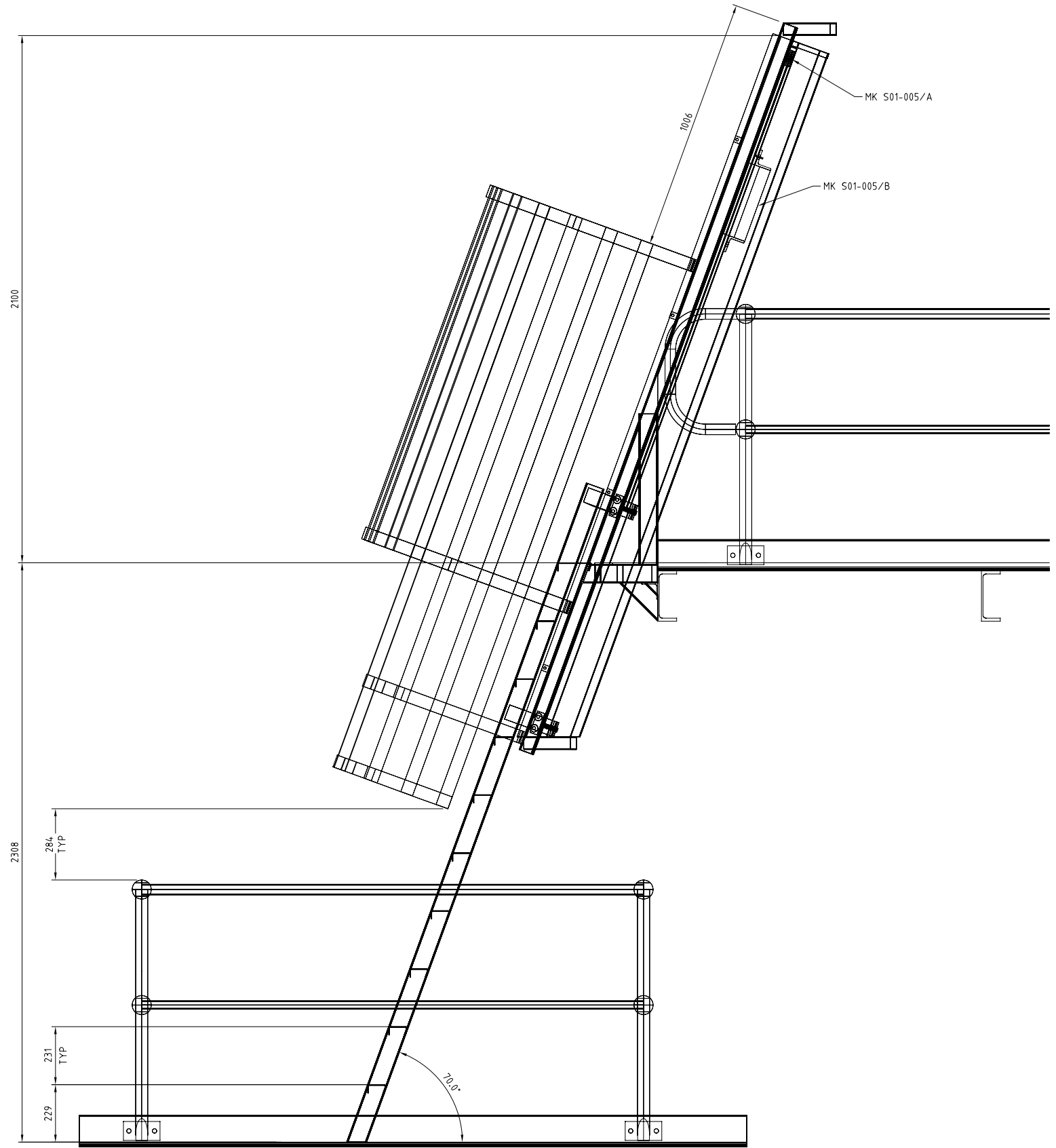


* IF IN DOUBT ASK *

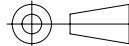


3D VIEW
SCALE 1:10



SKYLINE TRIPPER ACCESS - 1 REQ'D AS DRAWN
SKYLINE TRIPPER ACCESS - 1 REQ'D OPP HAND
SCALE 1:10

REV	DATE	DESCRIPTION	DRAWN	REF DRAWING	REFERENCE DRAWING TITLE
A	14-05-09	ISSUED FOR APPROVAL	D.JANISSEN		

* IF IN DOUBT ASK *
DO NOT SCALE
UNLESS OTHERWISE NOTED

DIMENSIONS IN MILLIMETRES
MCKAJJ JOB No. 22903

McKajj Services Pty Ltd
Project Management - Engineering - Drafting
19 Herbert Street, Belmont NSW 2280
PO Box 84, Warners Bay NSW 2282
Ph: (02) 49454111 Email: office@mckajj.com.au Fx: (02) 49451070 Web: www.mckajj.com.au

DESIGNED: G.TELFORD
DESIGN CHECK: G.TELFORD
DISCIPLINE: MECHANICAL

This information contained in this document is the copyright of the nominated Client or Supplier. It is intended for the use of the individual(s) or company(s) named. Copying of this information or distribution to third parties is strictly prohibited, without the written consent of the Client or Supplier.

JOMY SAFETY LADDERS (AUST) PTY. LTD.
ACCESS LADDER SOLUTIONS
5 David St Bowral, NSW 2576 Australia
Ph: 0401 107 800 Fx: (02) 4862 1184
Email: tomy@jomyladders.com.au Web: www.jomyladders.com.au

CLIENT JOMY		REV	SHEET
PROJECT NARRABRI COAL SKYLINE TRIPPER		A	A1
DRAWING TITLE NARRABRI COAL SKYLINE TRIPPER ACCESS LADDER GENERAL ASSEMBLY		DRAWING No. 22903-501-001	
FIRST DRAWN 04-05-09	SCALE AS SHOWN	CAD File: 22903-501-001-A	