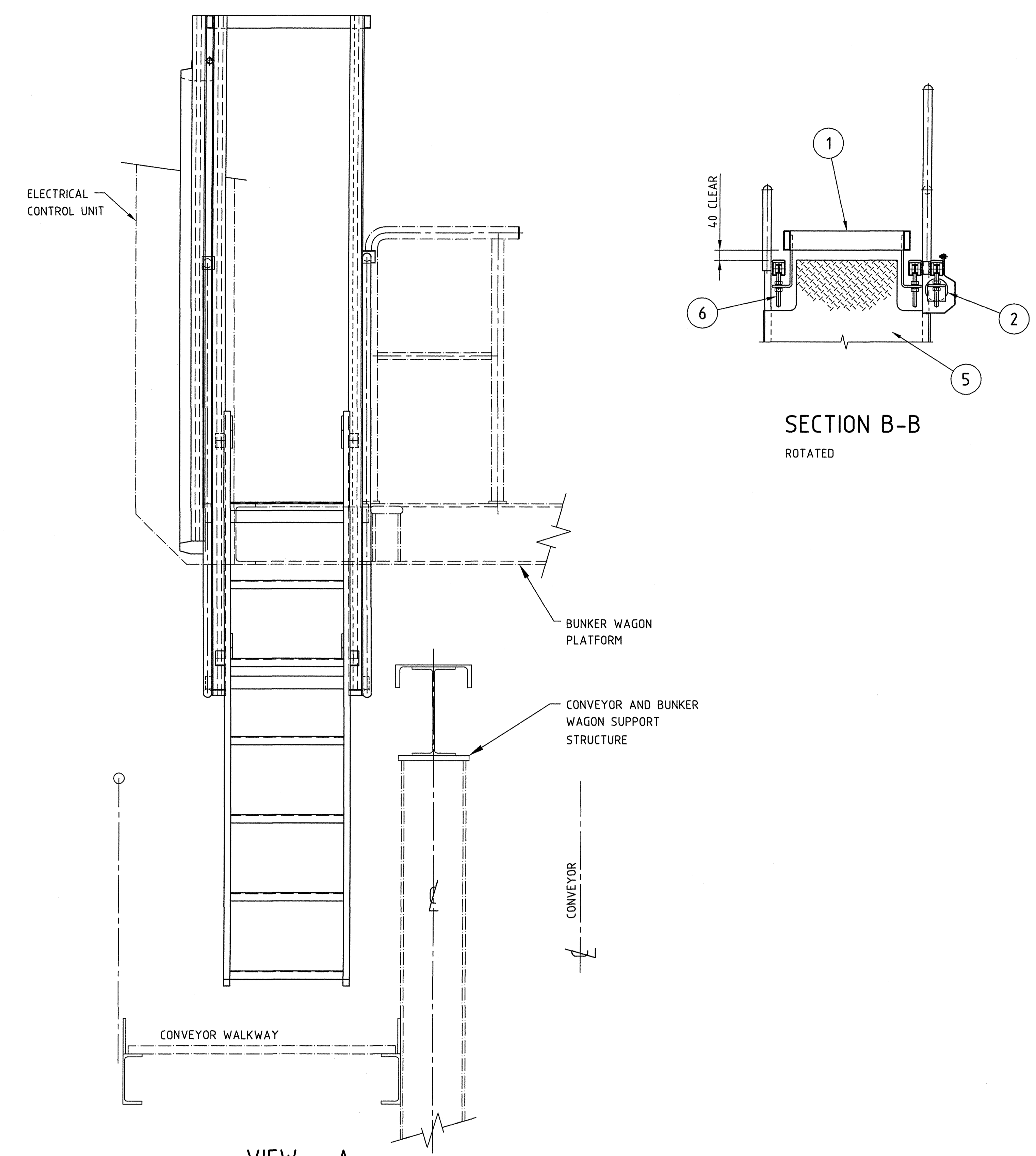


SIDE ELEVATION
LADDER IN DOWN POSITION



VIEW - A

QUANTITIES SHOWN FOR ONE DISCHARGE WAGON ACCESS LADDER,
TOTAL NO. - 12 DISCHARGE WAGON ACCESS LADDERS REQUIRED.

ITEM	DESCRIPTION	No. OFF.	MATERIAL	REF. DGN No.	REMARKS	UNIT	TOTAL
						TRGT	TRGT
10	-	-	-	-	-	-	-
9	Ø16 FLAT WASHER	2	STEEL	-	GALVANISED	-	-
8	M16 NYLOC NUT	1	STEEL	-	ZINC PLATED	-	-
7	Ø4 WIRE ROPE x 2500 LONG APPROX.	1	STEEL	-	6x24 FIBRE CORE GALVANISED	-	-
6	WHEELED CARRIAGE	6	STEEL	-	"ELTRAK" EH15ST	-	-
5	LANDING	1	STEEL	LV91/3-2/009	-	-	-
4	GUIDE FRAME	1	STEEL	LV91/3-2/065	-	-	-
3	PULLEY	1	NYLON	LV91/3-2/067	-	-	-
2	COUNTERWEIGHT	1	STEEL	LV91/3-2/064	-	-	-
1	LADDER	1	ALUMINIUM	LV91/3-2/064	-	-	-

FOR MODIFICATIONS TO EXISTING PLATFORM
REFER DRAWING NO. LV91/3-2/066

WELDING STEEL
ALL WELDED CONSTRUCTION. ALL WELDS TO BE 5 mm CONTINUOUS FILLET OR BUTT AND TO CONFORM TO AS/NZ 1554 - PART 1 - 2000 UNLESS NOTED OTHERWISE.

PAINTING
EXPOSED STEEL SURFACES TO BE CLEANED, PRIMED & GIVEN TWO FINISHING COATS OF PAINT IN ACCORDANCE WITH RELEVANT AUSTRALIAN STANDARDS. FINAL COAT COLOUR TO BE - YELLOW

NOTE:
COPYRIGHT IN THIS DOCUMENT IS THE PROPERTY OF LOY YANG POWER AND IT MUST NOT BE REPRODUCED OR MADE AVAILABLE FOR USE BY ANY OTHER PARTY WITHOUT THE EXPRESS PERMISSION OF LOY YANG POWER MANAGEMENT LTD.

REFERENCE DRAWINGS	DRAWING NO.	TITLE
COAL PLANT CONVEYOR SYSTEM	LV49/1-5/022	
MODIFICATIONS TO EXISTING PLATFORM	LV91/3-2/066	
DETAILS ITEMS 4	LV91/3-2/065	
DETAILS ITEMS 1, 2 & 3	LV91/3-2/064	

REVISION	DATE	REV	W/O NO.	REMARKS

DRAFTING CHECK	LYM CHECKED	LYM APPROVED	DATE	REV	W/O NO.	REMARKS

Prepared By: **edr** ENGINEERS & DESIGNERS
 Phone: 083 5714 8255 Fax: 083 5754 2870
 Email: loy@lvp.com.au Website: www.lvp.com.au

ACTIVE SCALE 1:10 W/O 29031973
 DRAWN ARC CHECK AQ
 DRAFTING APPROVAL PJD DATE 17/2/04
 DESIGNED
 CHECKED
 CLIENT/ENG. LYM APPROVAL
 LYM APPROVAL

CONTRACTOR DRC. NO. 5432-006
 SHEET NO. 1 OF 4
LOY YANG MINE
 LV91/3-2/063

LOY YANG power

RAW COAL BUNKER BUNKER DISCHARGE WAGON "JOMY" COUNTERWEIGHT ACCESS LADDER ARRANGEMENT

LVP STD BY